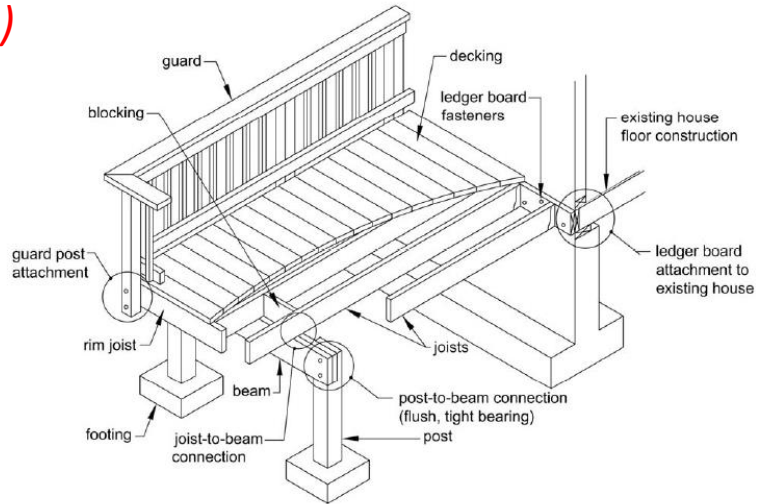
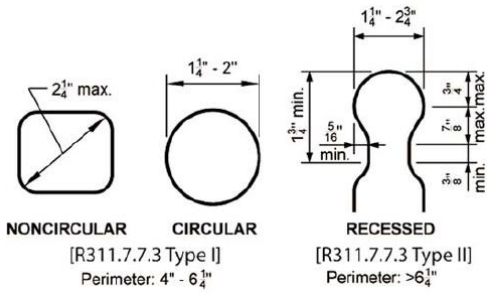
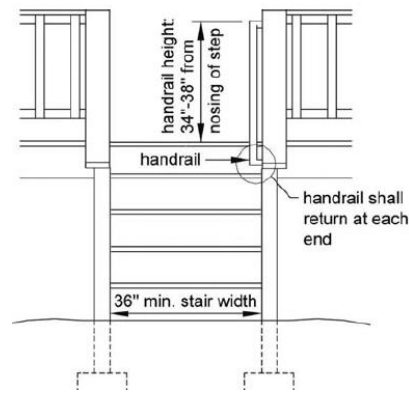
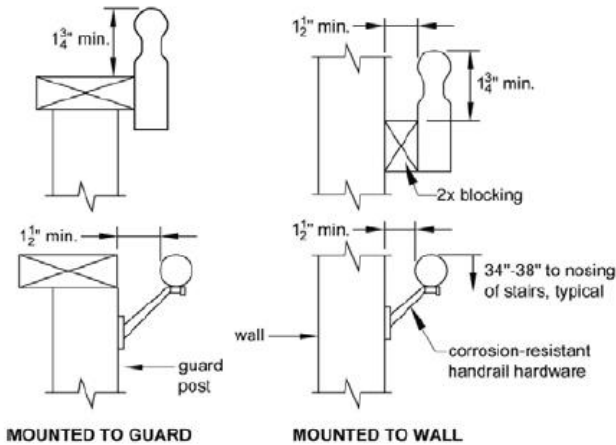


Deck Plans & Grid Paper

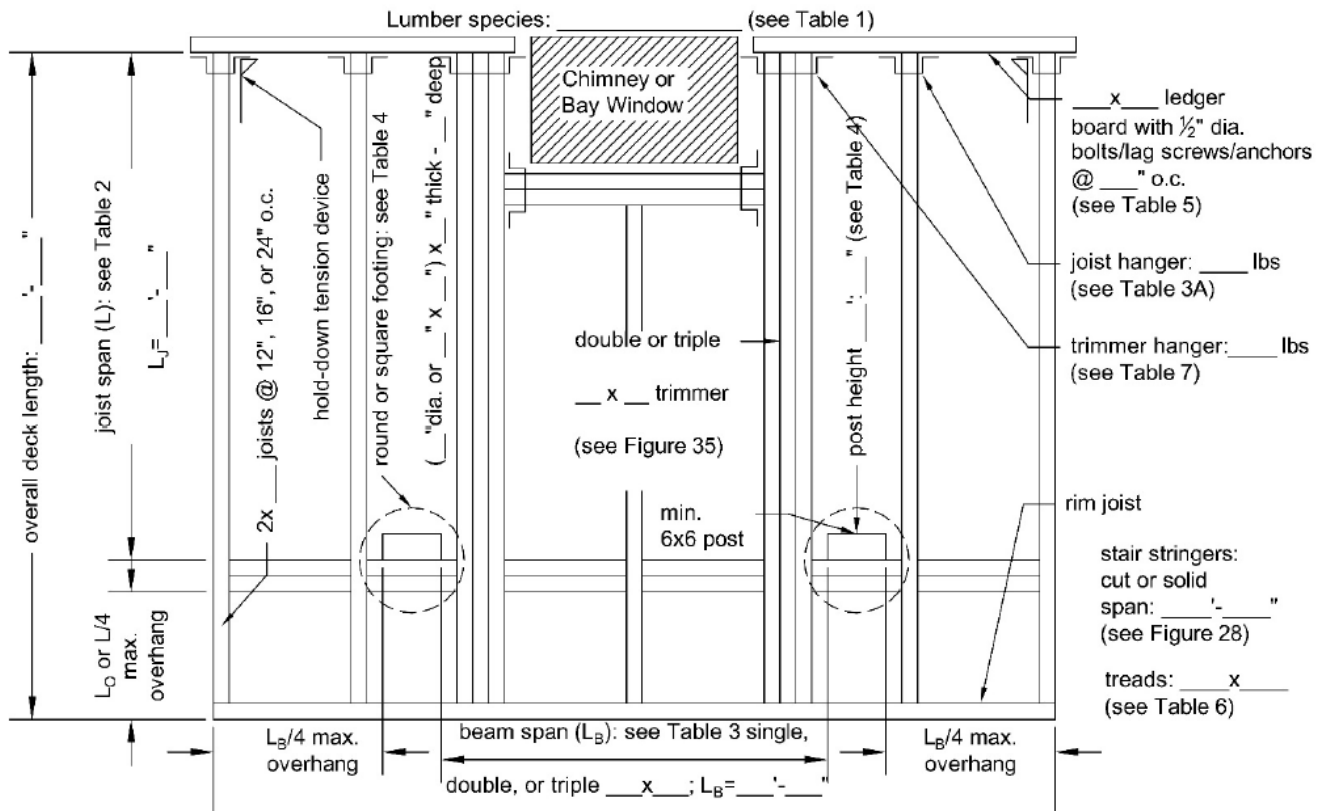
Deck Concept *(Codes and Examples)*



Fasten handrails per manufacturer recommendations



Deck Framing *(Codes and Examples)*



Diagrams from American Wood Council Guide 2015 (IRC 2015)

Deck Concept

Property Address: _____

Submit drawing or draw decking. 1/4" square = 1 foot

Deck Width x Length = SF

x =

Attached to house

Freestanding Deck

Decking Wood Type

Decking Size

x

Ledger Board Size

x

Flashing Type

Perpendicular/Diagonal

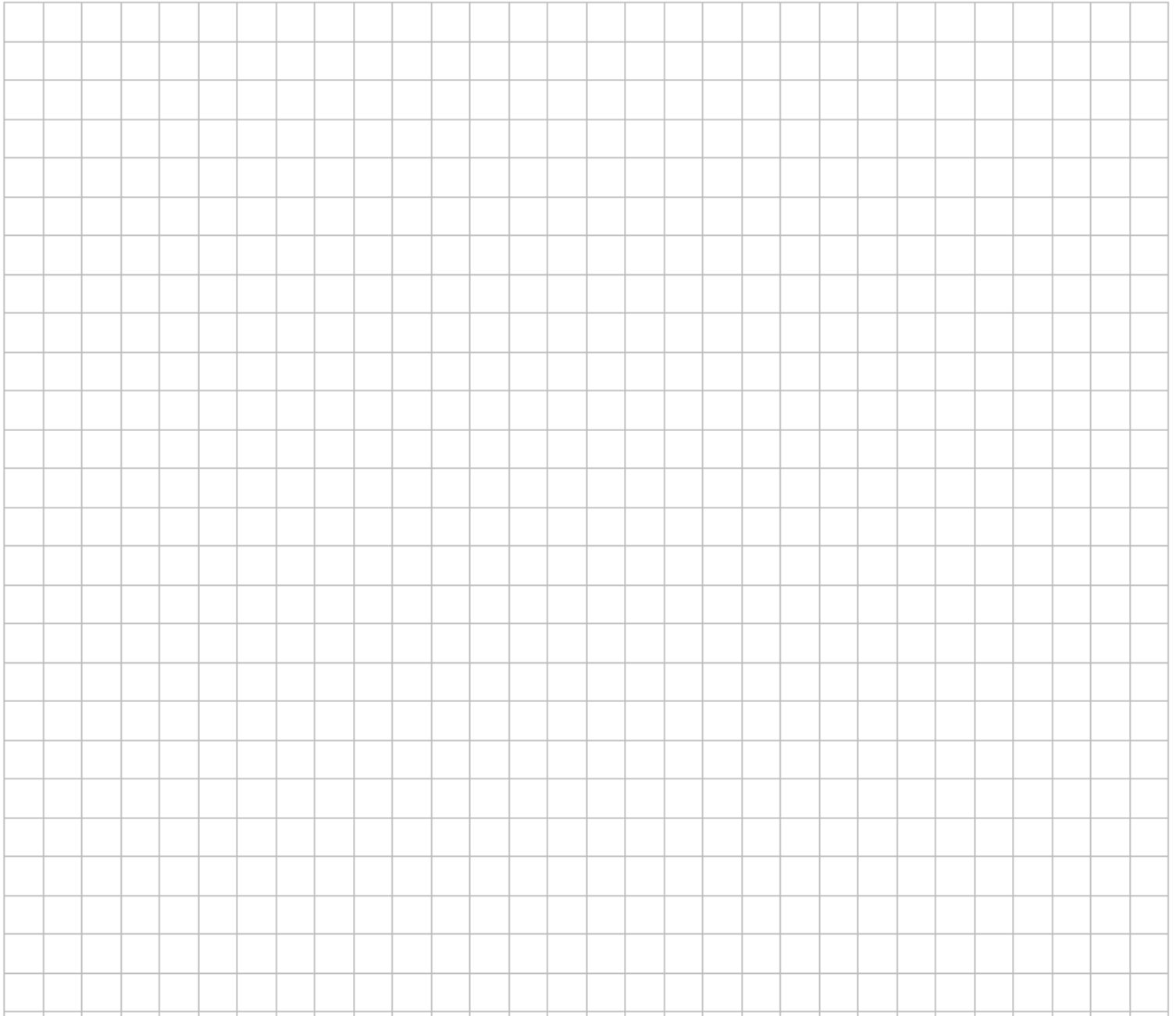
Deck Height

Height 30" or more = 36" guardrail.

4 risers or more = handrails

Please include:

Side view with Guard Rail, Stairs, if attached to House, Decking



Deck Framing

Property Address: _____

Joist Size
 x

On Center Spacing

Max 12" o.c. if Diagonal Decking

Joist Span / 4 = Max Cantilever Actual Cantilever
 / 4 =

Joist Span divided by 4 = max allowable Joist Cantilever

Double/Triple Beams Beam Size
 x

Beam Span / 4 = Max Cantilever Actual Cantilever
 / 4 =

Beam Span divided by 4 = max allowable Beam Cantilever

Allowable Joist Span if **NO** Cantilever

	12 o.c.	16 o.c.	24 o.c.
2x6	9' 11/12"	9'	7' 7/12"
2x8	13' 1/12"	11' 10/12"	9' 8/12"
2x10	16' 1/12"	14'	11' 5/12"
2x12	18'	16' 6/12"	13' 6/12"

Allowable Joist Span **WITH** Cantilever

	12 o.c.	16 o.c.	24 o.c.
2x6	6' 8/12"	6' 8/12"	6' 8/12"
2x8	10' 1/12"	10' 1/12"	9' 8/12"
2x10	14' 6/12"	14'	11' 5/12"
2x12	18'	16' 6/12"	13' 6/12"

Allowable Beam Span

Beam Size	6' joist Span	8' joist Span	10' joist Span	12' joist Span	14' joist Span	16' joist Span	18' joist Span
2-2x6'	6' 11/12"	5' 11/12"	5' 4/12"	4' 10/12"	4' 6/12"	4' 3/12"	4'
2-2x8'	8' 9/12"	7' 7/12"	6' 9/12"	6' 2/12"	5' 9/12"	5' 4/12"	5'
2-2x10	10' 4/12"	9'	8'	7' 4/12"	6' 9/12"	6' 4/12"	6'
2-2x12	12' 2/12"	10' 7/12"	9' 5/12"	8' 7/12"	8'	7' 6/12"	7'
3-2x6'	8' 2/12"	7' 5/12"	6' 8/12"	6' 1/12"	5' 8/12"	5' 3/12"	5'
3-2x8'	10' 10/12"	9' 6/12"	8' 6/12"	7' 9/12"	7' 2/12"	6' 8/12"	6' 4/12"
3-2x10	13'	11' 3/12"	10'	9' 2/12"	8' 6/12"	7' 11/12"	7' 6/12"
3-2x12	15' 3/12"	13' 3/12"	11' 10/12"	10' 9/12"	10'	9' 4/12"	8' 10/12"

Please include measurements in drawing:

1. Please show beams and joists and how they are attached to the beam.
2. **Beam Span:** The distance between posts
3. **Joist Span:** The length of the Joist from one side, to the side that connects to the Beam.

